



Food Processor
Prep4You cutter mixer 2.6l/2.7qt,1
speed, 750w, nema 5-15p

ITEM # _____
 MODEL # _____
 NAME # _____
 SIS # _____
 AIA # _____



602247 (DK26US)

Cutter Mixer 2.6 lt/2.7qt with stainless steel bowl, 1800 rpm, NEMA 5-15P plug

Short Form Specification

Item No. _____

Cutter Mixer, variable speed (300-3700 RPM), equipped with 7lt/7.4 quart stainless steel bowl with clear BPA-free lid, with bowl scraper, fine serrated blade rotor, stainless steel housing, 300-3300 RPM, 2 HP, 120v/60/1-ph, 15.0 amps.

Main Features

- Tabletop cutter mixer and emulsifier allowing fast chopping, mixing, mincing, griding, liquidizing and kneading.
- Includes 2.7 quart transparent copolyester bowl with micro-toothed blades rotor.
- Bowl/lid scraper included for uniform smooth results (emulsifying) and continuous working.
- Transparent lid, with funnel shaped hole, to add ingredients during use.
- All ingredients are processed evenly and quickly thanks to a special movement generated inside the bowl.
- Easy to clean and watertight control panel with on/off button and pulse function.
- Pulse function to coarse chopping.
- All parts in contact with food are removable without the use of tools, completely dismountable and dishwasher safe.
- ErgoCert 4-star certification for ergonomic design and ease of use.
- Productivity up to 50 settings per service.

Construction

- Transparent copolyester bowl
- Microtoothed blades in 420 AISI stainless steel and ergonomic scraper in high resistant composite material to ensure consistent mixing.
- compact design, easy to move and store.
- IPX5 (IP55) flat panel touch-control, watertight panel.
- Main switch ON/OFF on the back of the appliance.
- Asynchronous industrial motor with no brushes for high reliability and quiet functioning, stainless steel motor shaft.
- Food safety assured thanks to BPA-free materials and compliance with NSF standards.
- Product safety in accordance with international and UL standards.
- 1 speed: 1800 rpm.
- Motor power: 1 HP/ 750 Watt.

APPROVAL: _____

Prep4You cutter mixer 2.6l/2.7qt,1 speed, 750w, nema 5-15p
Food Processor



Food Processor Prep4You cutter mixer 2.6l/2.7qt, 1 speed, 750w, nema 5-15p

Included Accessories

- 1 of Transparent lid for 2,6lt Cutter Mixer bowl PNC 650117
- 1 of Fine serrated blade rotor for 2.6lt Cutter Mixer PNC 650226
- 1 of Stainless steel bowl for 2,6lt Cutter Mixer PNC 650228
- 1 of Scraper for 2.6lt Cutter Mixer bowl PNC 650230

Optional Accessories

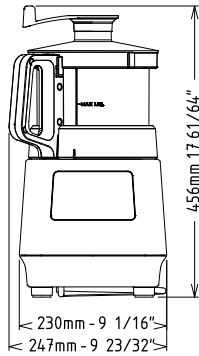
- Transparent lid for 2,6lt Cutter Mixer bowl PNC 650117
- Transparent lid without sealing for 3,6lt Cutter Mixer bowl (1 speed models) PNC 650118
- Fine serrated blade rotor for 2.6lt Cutter Mixer PNC 650226
- SMOOTH BLADE ROTOR FOR 2.7QT CUTTER MIXER PNC 650227
- Stainless steel bowl for 2,6lt Cutter Mixer PNC 650228
- Transparent copolyester bowl for 2,6lt Cutter Mixer PNC 650229
- Scraper for 2.6lt Cutter Mixer bowl PNC 650230
- Stainless steel bowl for 2,6lt Cutter Mixer, fine serrated rotor, lid with scraper PNC 650231
- Fine serrated blade rotor for 3.6lt Cutter Mixer PNC 650233
- SMOOTH BLADE ROTOR FOR 3.8QT CUTTER MIXER PNC 650234
- Stainless steel bowl for 3.6lt Cutter Mixer PNC 650235
- Scraper for 3.6lt Cutter Mixer bowl PNC 650236
- Transparent bowl for 2,6lt cutter mixer, fine serrated rotor, lid with scraper PNC 650245



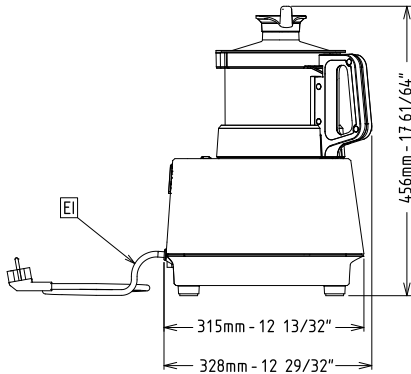


Food Processor Prep4You cutter mixer 2.6l/2.7qt, 1 speed, 750w, nema 5-15p

Front

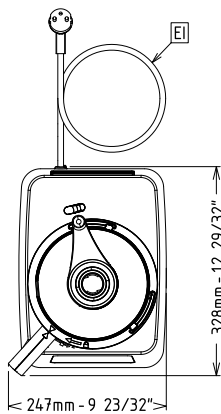


Side



EI = Electrical connection

Top



Electric

Supply voltage:	115 V/1N ph/60 Hz
Electrical power, max:	0.75 kW
Total Watts:	0.75 kW

Capacity:

Performance (up to):	0 kg/Cycle
Capacity (quarters):	2.7
Capacity:	2.6 Litre

Key Information:

External dimensions, Width:	9 3/4" (247 mm)
External dimensions, Depth:	12 15/16" (328 mm)
External dimensions, Height:	17 15/16" (456 mm)
Shipping weight:	39 lbs (17.9 kg)



Food Processor
Prep4You cutter mixer 2.6l/2.7qt, 1 speed, 750w, nema 5-15p

The company reserves the right to make modifications to the products without prior notice. All information correct at time of printing.

2026.06.16